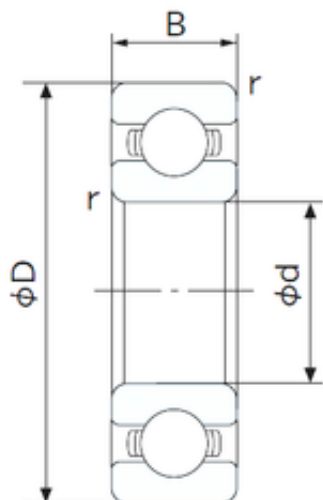




China Abec 7 Bearing Supplier



SKF, NSK, NTN, Koyo NACHI 6001 6002 6003
6004 6201 6202 6203 6205 Deep Groove Ball
Bearing

Bearing No. 6001

Size	12x28x8 mm
Bore Diameter	12 mm
Outer Diameter	28 mm
Width	8 mm
d	12 mm
D	28 mm
B	8 mm
C	8 mm
r min.	0.3 mm
da min.	14 mm
Da max.	26 mm
ra max.	0.3 mm
Weight	0.023 Kg
Basic dynamic load rating (C)	5,1 kN
Basic static load rating (C0)	2,39 kN
(Grease) Lubrication Speed	27000 r/min
Enclosure	Open
Bore Type	Cylindrical Bore
Configuration	Single Row
Bore Size	12 mm
Outside Diameter	28 mm
Width	8 mm
Fillet Radius/Chamfer	0.3 mm
Dynamic Load Rating	5,100 N

6001 Bearing 2D drawings and 3D CAD models



China Abec 7 Bearing Supplier

Static Load Rating	2,390 N
Limiting Speed - Grease	28,000 rpm
Limiting Speed - Oil	32,000 rpm
Factor fo	13.2
Radial Clearance	0.003 to 0.018 mm
da (min)	14 mm
Da (max)	26 mm
ra (max)	0.3 mm